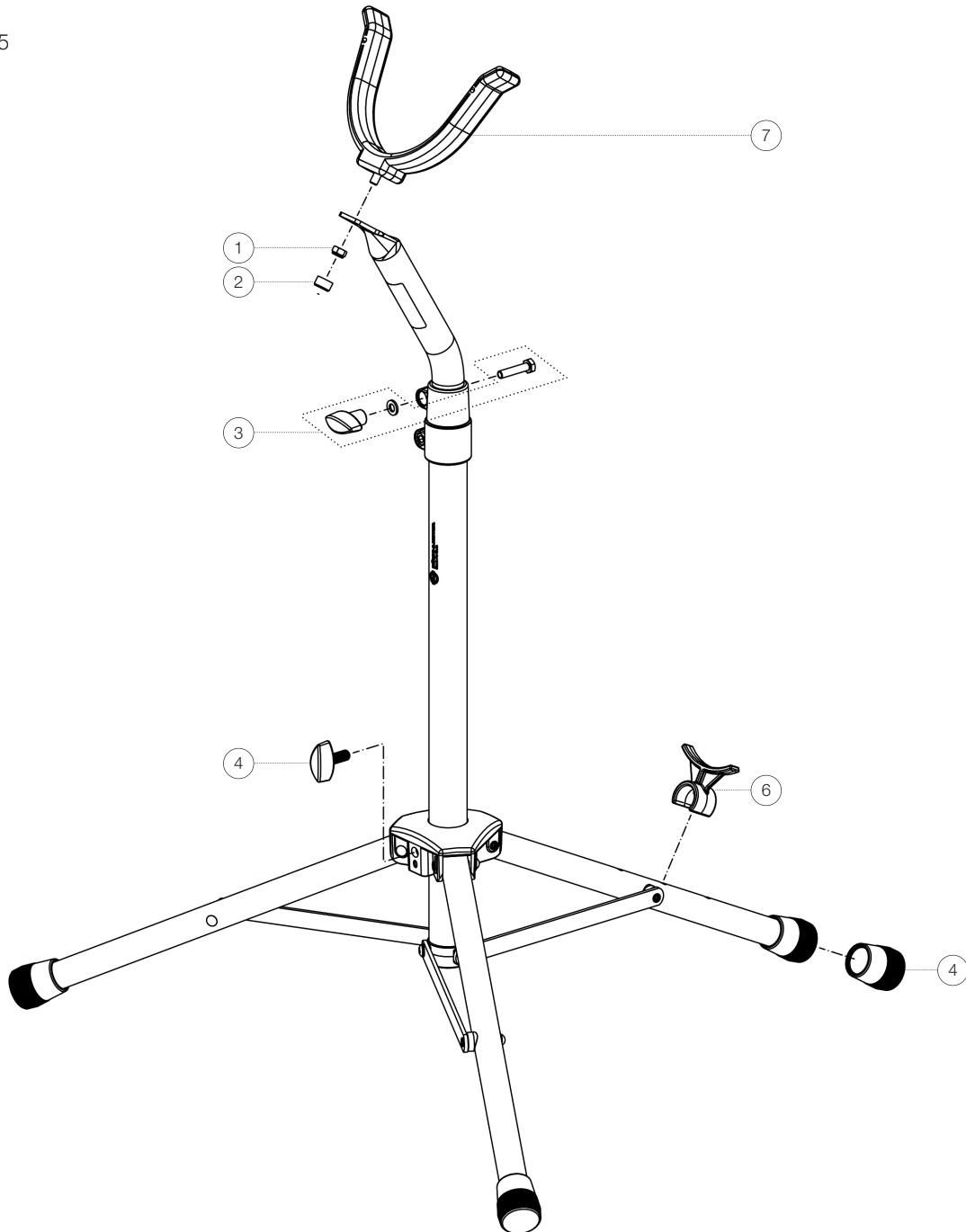


Spare parts list

144/1 Baritone saxophone stand

14410-021-55

*Rev02



Position	Description	Article No.	Quantity
1	Locking nut M6	03-08-340-29	1
2	Protective cap	03-20-410-55	1
3	Screw connection	3-00-000-068	1
4	Clamping screw M8 x 19 mm	01-83-100-55	1
5	End cap	01-84-730-55	3
6	Saxophone rest	01-89-100-55	1
7	Mounting bracket complete	6-14410-1-55	1