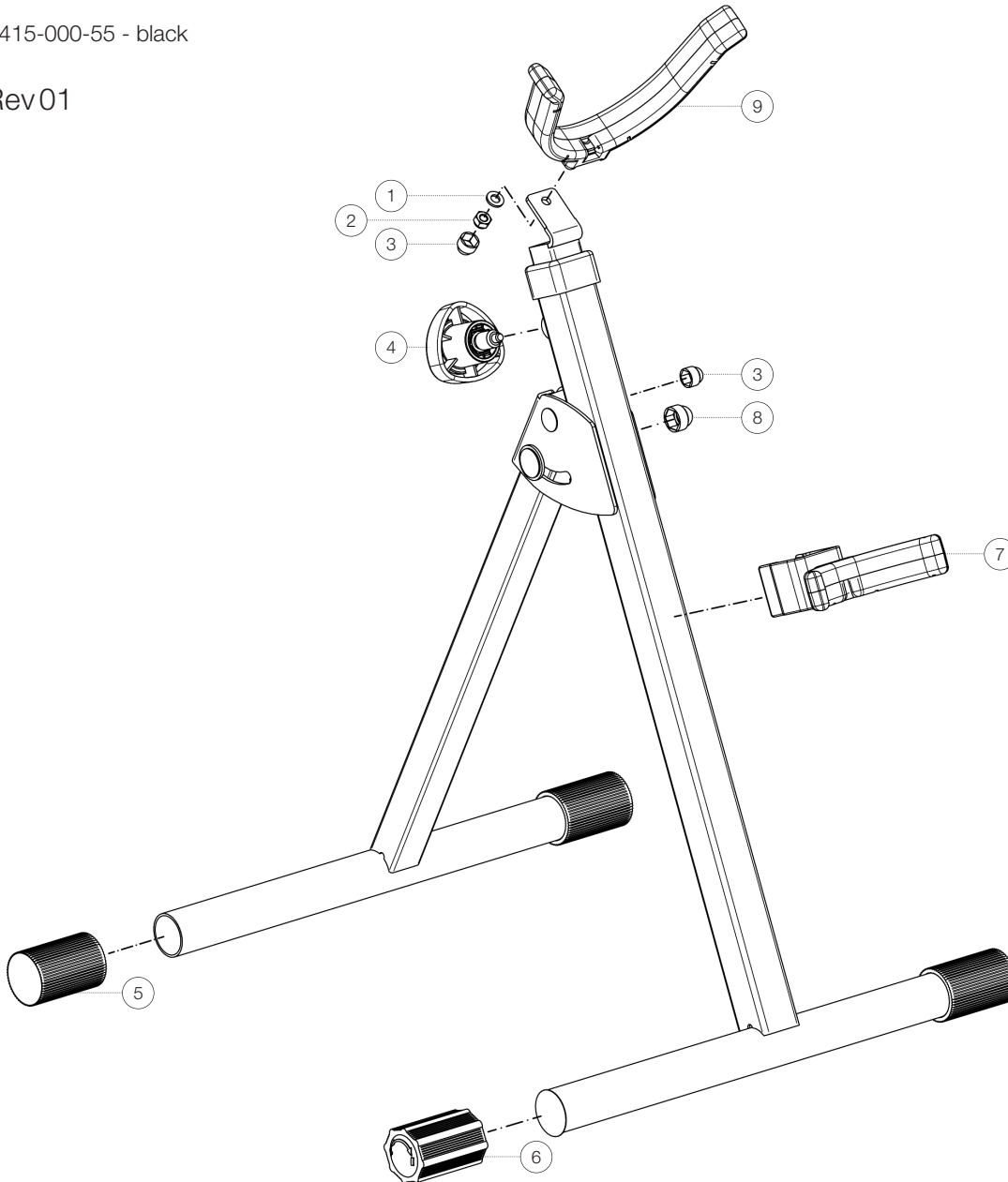


Spare parts list

14415 Baritone saxophone stand

14415-000-55 - black

*Rev01



Position	Description	Article No.	Quantity
1	Washer	03-11-405-25	1
2	Locking nut M6	03-08-340-29	1
3	Protective cap M6	03-20-410-55	2
4	Spring-loaded clamping knob complete with logo	6-18810-2-55	1
5	End cap with grooves	01-84-760-55	3
6	Adjustable end cap	01-84-768-55	1
7	Support bracket with retaining clip	3-00-000-071	1
8	Protective cap M8	03-20-415-55	1
9	Mounting bracket	6-14410-1-55	1