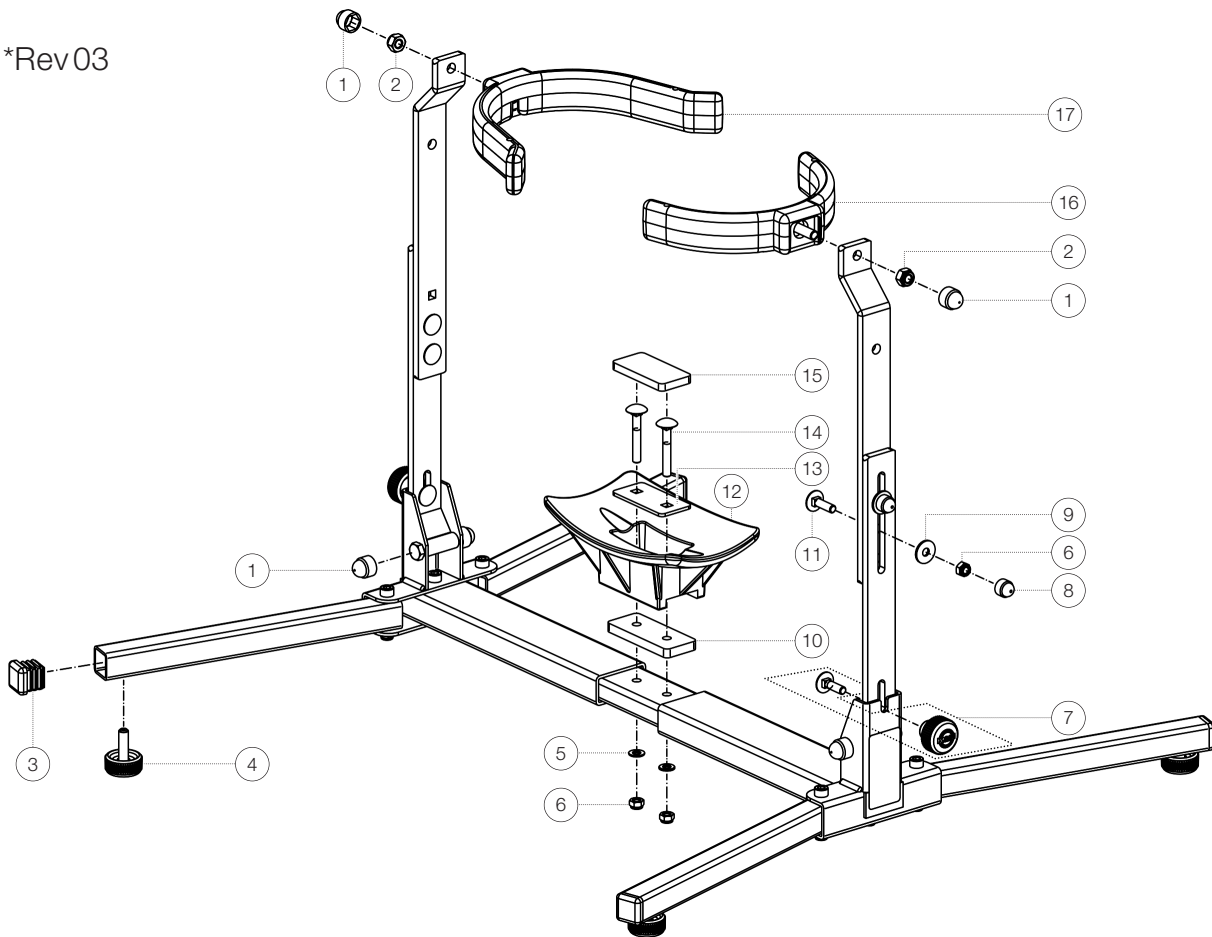


Spare parts list

# 14945 Stand for kingsize tuba

14945-000-55 - black

\*Rev 03



Position	Description	Article No.	Quantity
1	Protective cap M6	03-20-410-55	6
2	Locking nut M6	03-08-340-29	4
3	Plastic glider 18 x 18 mm	03-20-720-55	4
4	Knurled screw without logo M6 x 22 mm	01-82-837-55	4
5	Washer ø 5,3 mm	03-11-310-25	2
6	Locking nut M5	03-08-240-29	12
7	Screw connection	3-00-000-100	2
8	Protective cap M5	03-20-405-55	4
9	Washer ø 5,3 mm	03-11-330-25	4
10	Distance plate	02-55-609-55	1
11	Carriage bolt M5 x 18 mm	03-07-128-25	6
12	Tuba support	01-89-095-55	1
13	Reinforcement plate	02-50-282-55	1
14	Carriage bolt M5 x 35 mm	03-07-160-29	2
15	Polyethylene foam self-adhesive 50 x 25 x 5 mm	03-21-590-55	1
16	Covered support bracket	6-14410-1-55	1
17	Covered support bracket "large"	6-14940-2-55	1