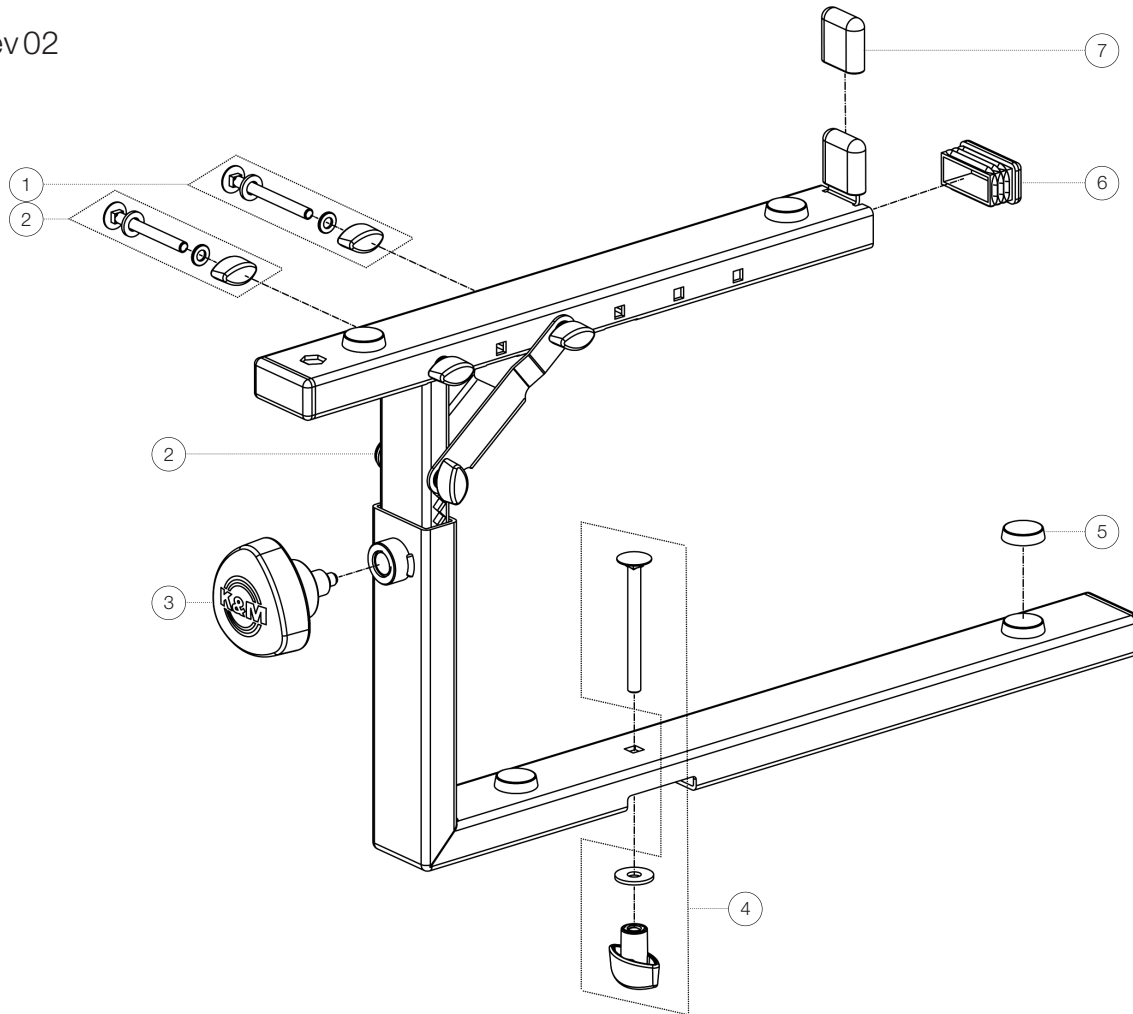


Spare parts list

18811 Stacker

18811-000-55 - black

*Rev 02



Position	Description	Article No.	Quantity
1	Screw connection	3-00-000-121	1
2	Screw connection	3-00-000-120	2
3	Spring-loaded clamping knob complete with logo	6-18810-2-55	1
4	Screw connection of the support	3-00-000-119	1
5	Bump on ø 20 x 5 mm (4er Set)	01-09-019-55	1
6	Plastic glides 40 x 20 mm	03-20-830-55	3
7	End cap 20 x 5 mm	01-94-700-55	1