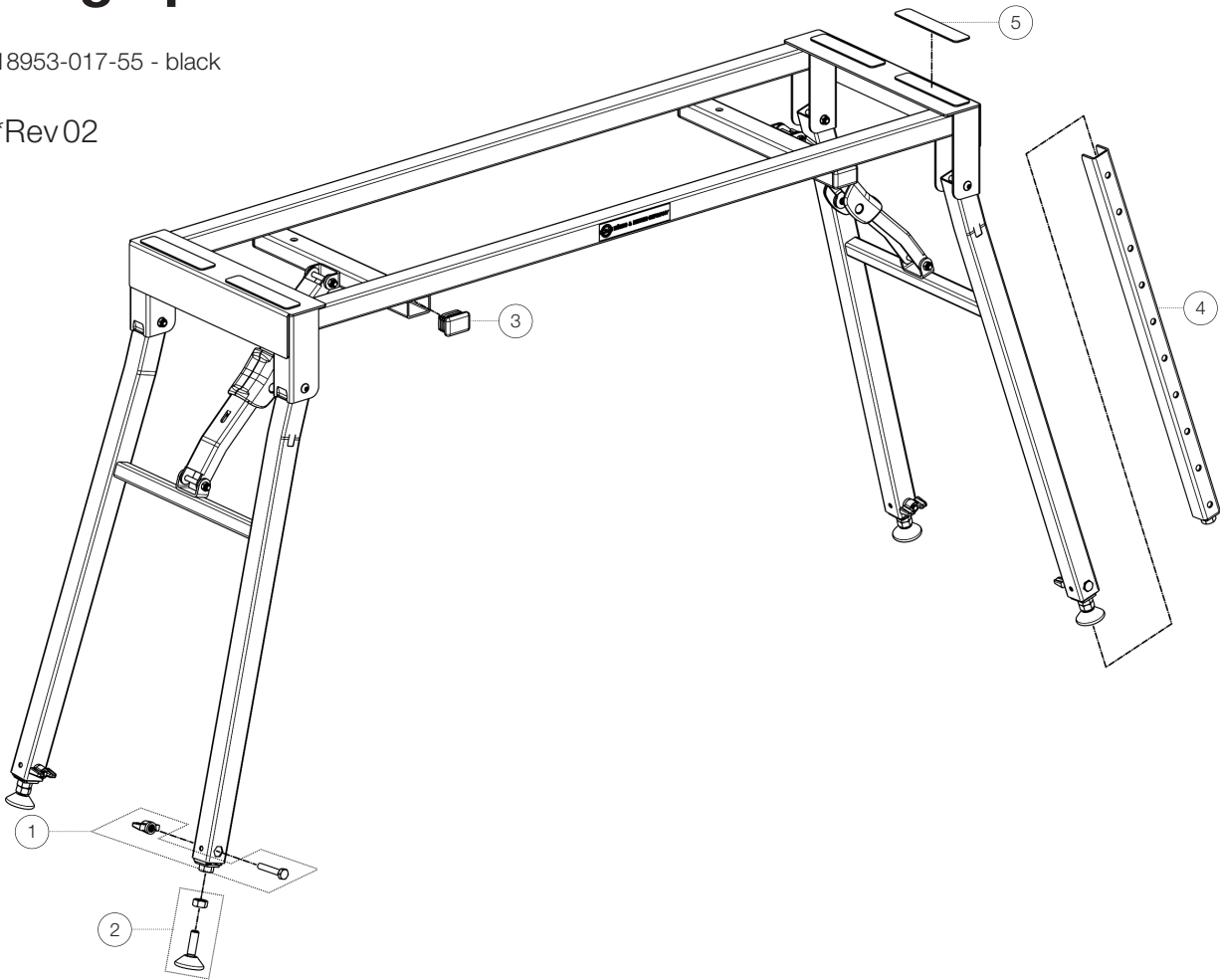


Spare parts list

18953 Table-style stage piano stand

18953-017-55 - black

*Rev02



| Position | Description | Article No. | Quantity |
|----------|---------------------------------|---------------|----------|
| 1 | Screw connection with wing nut | 3-00-000-132 | 4 |
| 2 | Adjusting plate with nut | 3-00-000-133 | 4 |
| 3 | Plastic glide 30 x 20 mm | 03-20-781-55 | 4 |
| 4 | U-height adjustment complete | 5-18950-13-55 | 4 |
| 5 | Rubber spacer 100 x 20 x 1.5 mm | 03-21-930-55 | 4 |