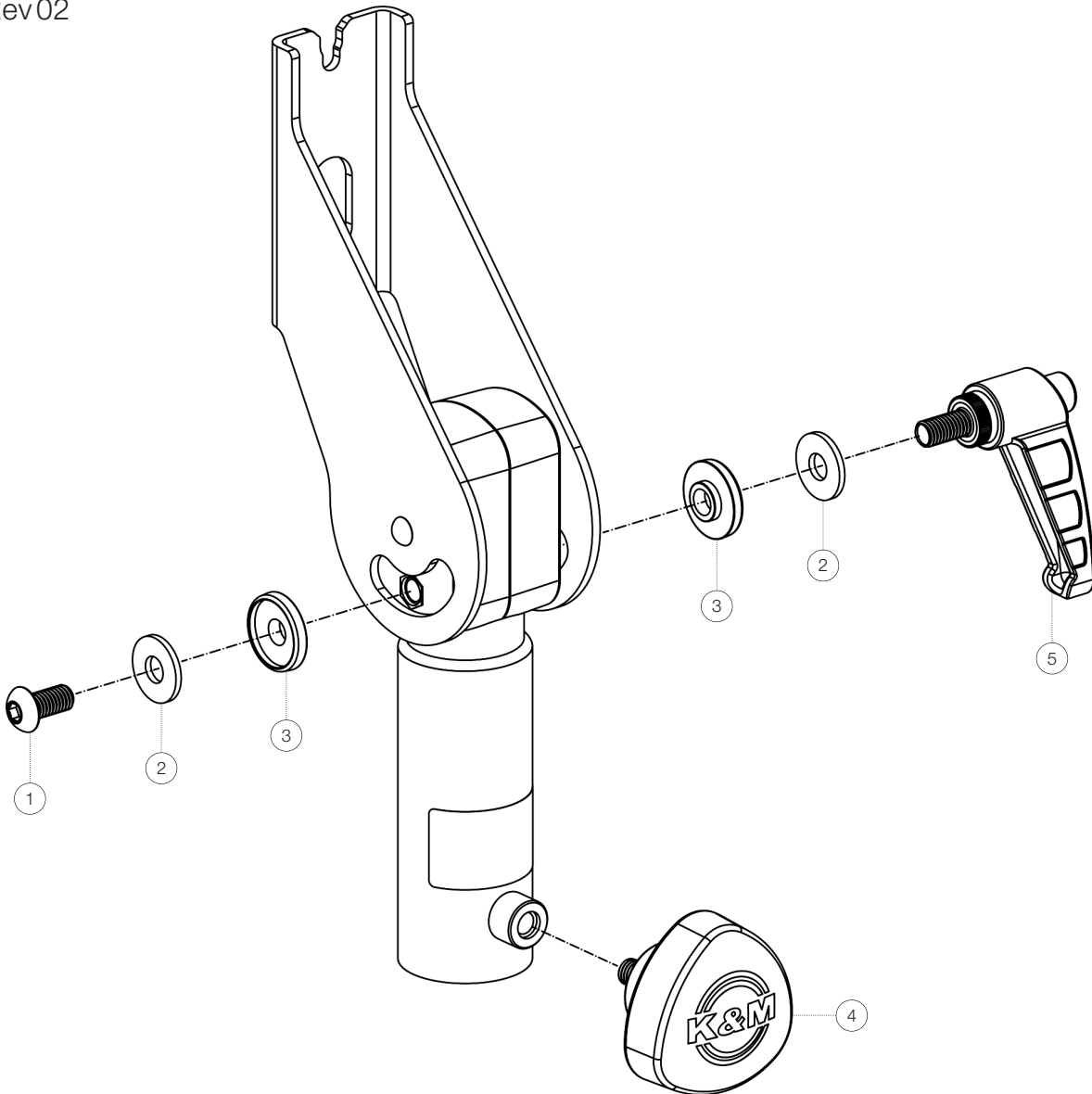


Spare parts list

19610 Adapter

19610-000-55 - black

*Rev 02



Position	Description	Article No.	Quantity
1	Rounded head screw M8 x 16 mm	03-03-630-40	1
2	Washer	02-50-235-55	2
3	Bushing	01-86-298-55	2
4	Clamping screw with logo M8 x 16/33 mm	01-82-763-55	1
5	Clamping lever M8	03-22-941-55	1