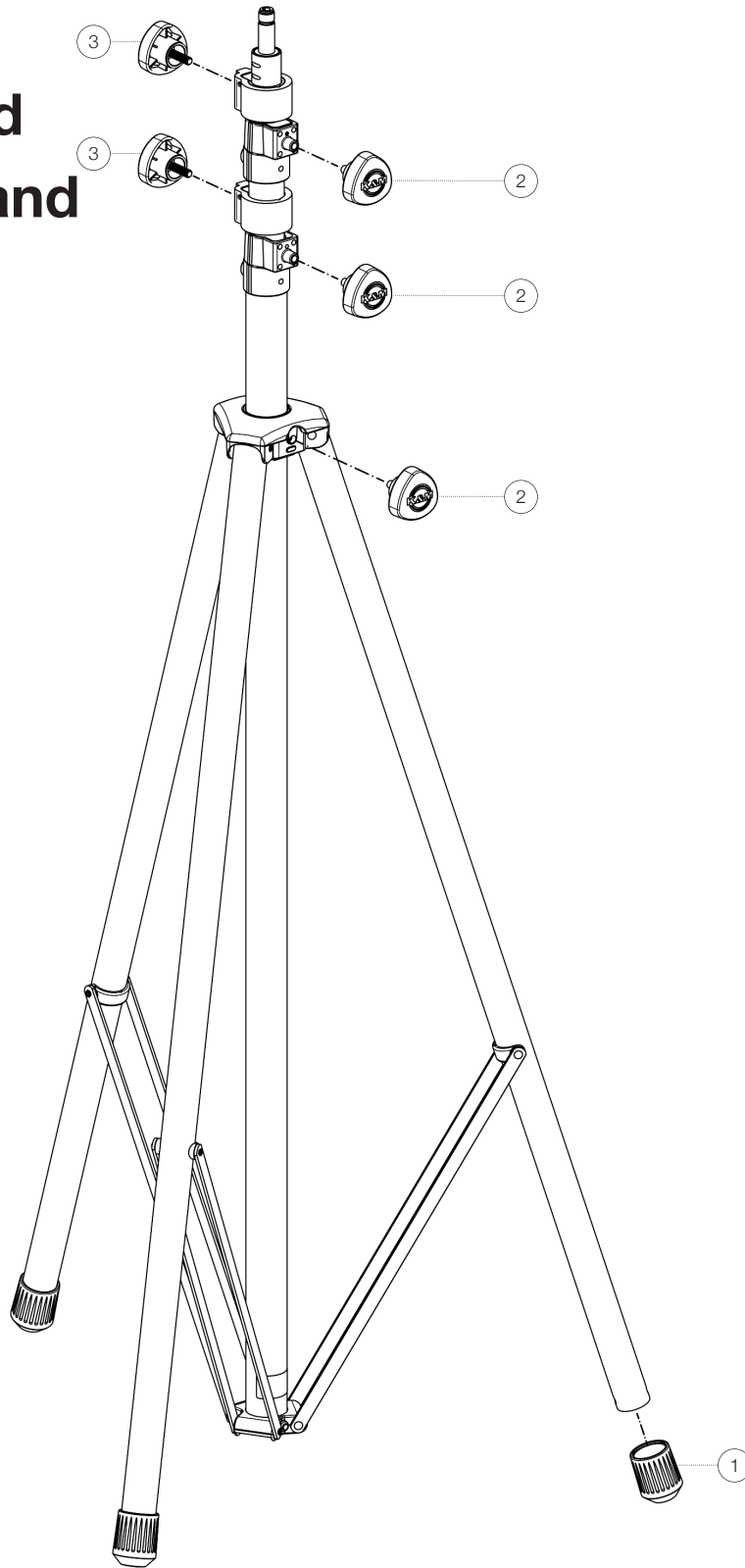


Spare parts list

20811 Overhead microphone stand

20811-509-55 - black

*Rev01



Position	Description	Article No.	Quantity
1	End cap	01-84-935-55	3
2	Clamping screw with logo M8 x 16/33 mm	01-82-763-55	3
3	Clamping screw with logo M8 x 21/38 mm	01-82-783-55	2