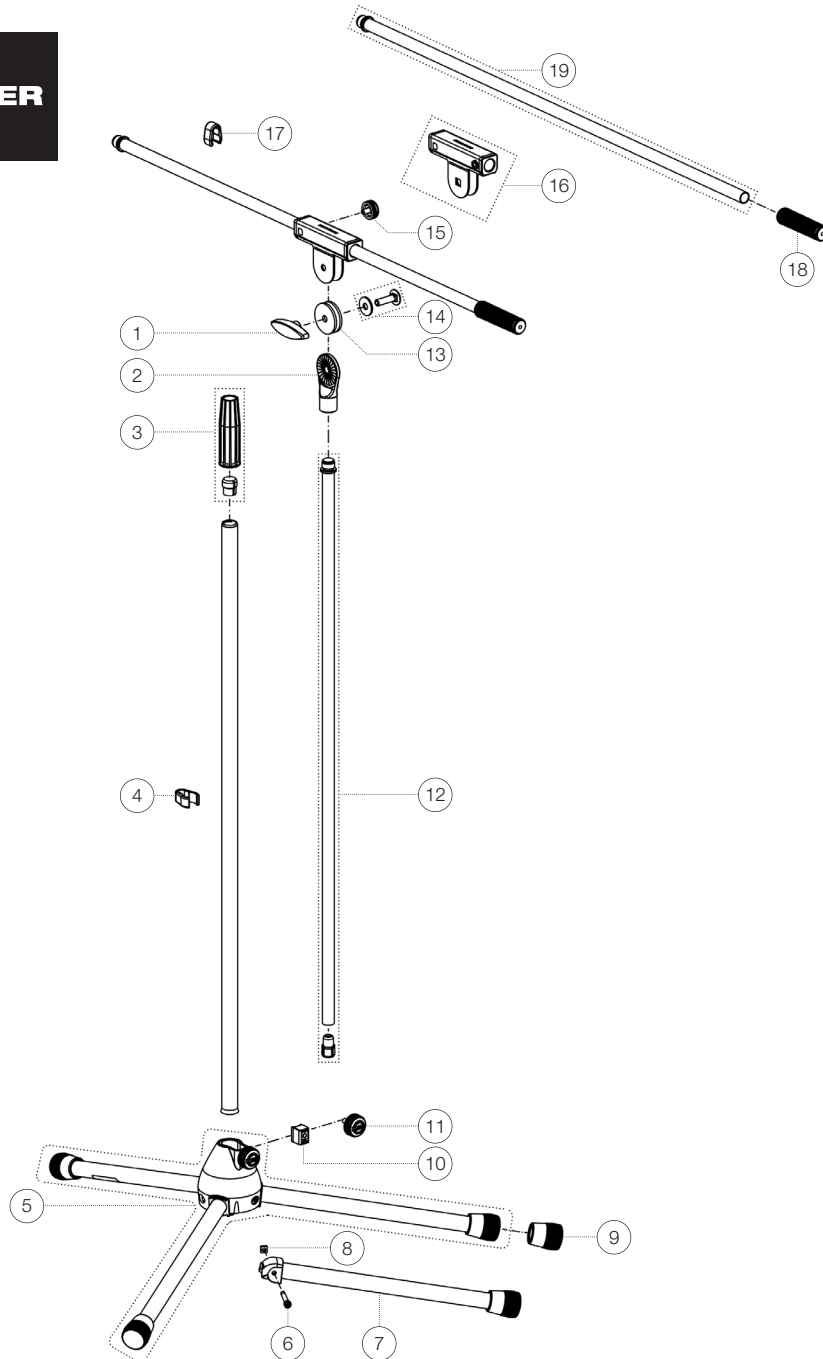


Spare parts list

# 210/6 Micro- phone stand

21060-500-02 - chrome

\*Rev07



| Position | Description                                    | Article No.  | Quantity |
|----------|--|--------------|----------|
| 1        | Clamping nut M8                                | 01-83-981-55 | 1        |
| 2        | Swivel head 5/8"                               | 02-40-440-55 | 1        |
| 3        | Clutch with tension ring                       | 3-00-000-018 | 1        |
| 4        | Cable holder ø 20 mm                           | 01-85-970-55 | 1        |
| 5        | Base with legs                                 | 3-00-000-083 | 1        |
| 6        | Cylinder head screw M5 x 36 mm                 | 03-02-176-29 | 3        |
| 7        | Foot tube complete                             | 6-21025-1-02 | 3        |
| 8        | Square nut M5                                  | 03-08-210-29 | 3        |
| 9        | End cap  | 01-84-980-55 | 3        |
| 10       | Clamping piece with pin R10 complete           | 6-86642-1-55 | 1        |
| 11       | Knurled screw with logo M6 x 16 mm             | 01-82-948-55 | 1        |
| 12       | Extension tube, plastic stop and threaded bolt | 3-00-000-085 | 1        |
| 13       | Rubber washer                                  | 03-21-161-55 | 2        |
| 14       | Screw connection boom arm                      | 3-00-000-019 | 1        |
| 15       | Knurled screw with logo M6 x 12 mm             | 01-82-828-55 | 1        |
| 16       | Swivel joint complete                          | 6-27105-1-55 | 1        |
| 17       | Cable holder ø 15 mm                           | 01-85-960-55 | 1        |
| 18       | Boom arm sleeve                                | 01-95-845-55 | 1        |
| 19       | Extension tube with threaded bolt              | 3-00-000-138 | 1        |