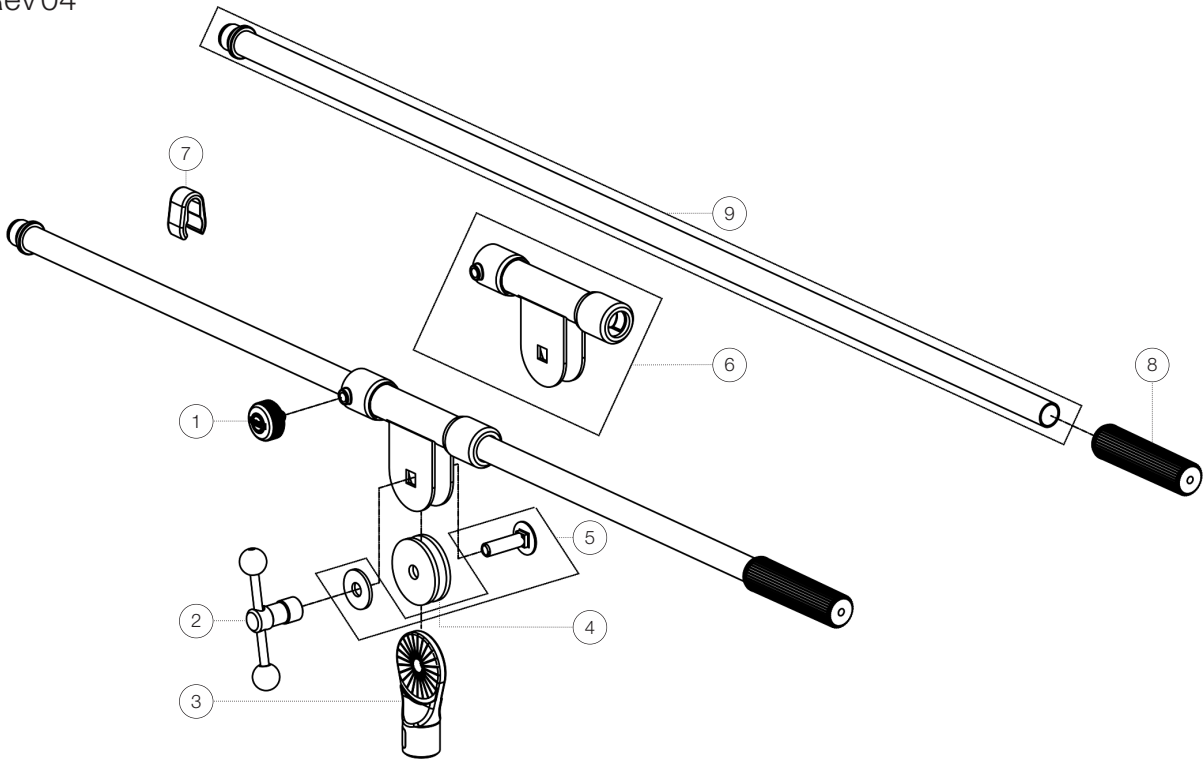


Spare parts list

# 211 Boom arm

21100-500-02 - chrome

\*Rev04



Position	Description	Article No.	Quantity
1	Knurled screw with logo M6 x 12 mm	01-82-828-55	1
2	T-bar locking screw	6-30351-1-55	1
3	Swivel head 5/8"	02-40-440-55	1
4	Rubber washer	03-21-161-55	2
5	Screw connection boom arm	3-00-000-019	1
6	Swivel joint complete	6-21110-5-55	1
7	Cable holder ø 15 mm	01-85-960-55	1
8	Boom arm sleeve	01-95-845-55	1
9	Extension tube with threaded bolt	3-00-000-138	1